



## General Description

Design, ergonomics and ease of use, together with outstanding decoding performance and state-of-the-art software configuration capability, make FireScan™ an ideal solution for Retail, Office Automation and Light Industrial applications that require higher reading distances (over 40 cm) and a bright, well-defined scan line. FireScan™ is based on a new empowered architecture which allows the most advanced features to be employed. In terms of decoding, the implementation of PUZZLE SOLVER™ technology improves reading of poorly printed or damaged codes, while the Data Editing and Data Formatting function allows scanned data to be modified prior to transfer, ensuring compatibility with the application on the host system. Furthermore, the aiming system permits easy pointing on the code at higher distances.

In addition, the in-field update capability provided by FireScan™ guarantees your investment: the laser gun firmware can be easily updated, maintaining an always "up-to-date" device.

FireScan™ is available in three models with different interface sets: the standard D131 model provides all the typical connections (USB, RS232, WEDGE & WAND), the D111 model provides complete connectivity to main IBM46xx cash registers, and the D141 model performs undecoded reader applications (ex. connecting the reader to flatbed scanners). In addition, FireScan™ reads Reduced Space Symbolologies (RSS), an emerging symbology that can be printed on a smaller label, which meets emerging market needs for a greater amount of data on a symbol.

## Features

- > Aggressive reading
- > Multi-interface models
- > Complete Data Editing and Formatting
- > Firmware upgrading
- > Intuitive barcode aiming
- > Ergonomics and lightweight
- > RSS-14 decoding capability
- > Sunrise 2005 Compliant

## Applications

- > Distribution & Retail
- > Front-office applications
- > Light Industrial environments



## Specifications

### ELECTRICAL CHARACTERISTICS

POWER SUPPLY 5 VDC  $\pm$ 5% - 4.75-14 V  
 CONSUMPTION 200 mA max. (FireScan™ D111/D131)  
 180 mA max. (FireScan™ D141)

### MECHANICAL CHARACTERISTICS

WEIGHT (approx.) 200 g  
 CASE MATERIAL ABS and Polycarbonate  
 CABLE LENGTH 2 m (6.1 ft.) linear or coiled

### PERFORMANCE

LIGHT SOURCE Laser diode 630 to 680 nm  
 MAX. RESOLUTION 0.12 mm (5 mils)  
 SCAN RATE 35 ( $\pm$ 5) scans/sec.  
 MIN. PRINT CONTRAST RATIO PCS = 15%  
 READING FIELD See diagram  
 READING ANGLE Skew:  $\pm$ 60°, Pitch: 5 to 55°, -5 to -55°, Tilt  $\pm$ 20°  
 READING INDICATORS Laser on and Good Read light, adjustable tone "beeper"  
 READABLE BAR CODES 2/5 family, Code 39 (plus Code 32, Cip 39), EAN/UPC, EAN 128, Code 128, Code 93, CODABAR, TELEPEN, PLESSEY, Code 49, Code MSI, Code Delta IBM, Code 11, CODABLOCK, Code 16K, ISBN/ISSN, ISBT 128, RSS variants

### PROGRAMMING METHOD

Manual Reading special bar codes  
 Automatic (with RS232) S/W commands through the serial port  
 DL Sm@rtSet™ Windows configuration program

### ENHANCED FEATURES

Puzzle Solver™, data editing and data concatenation

### INTERFACES

FireScan™ D111 RS232, IBM 46xx  
 FireScan™ D131 USB, RS232, Wedge, Wand  
 FireScan™ D141 TTL/Laser output

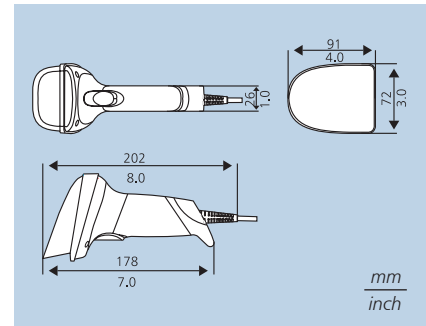
### LASER CLASSIFICATION

Class 2 (EN60825-1/ CDRH)

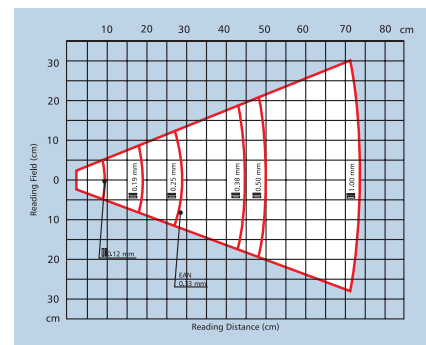
### ENVIRONMENT

AMBIENT LIGHT CONDITIONS Immune to light exposure in offices and facilities, and direct exposure to sunlight  
 OPERATING TEMPERATURE 0 to 50 °C  
 STORAGE TEMPERATURE -20 to 40 °C  
 HUMIDITY 90% non condensing  
 DROP RESISTANCE IEC 68-2-32 Test ED; withstands repeated drops from 1.5 m onto a concrete surface  
 ENVIRONMENTAL PROTECTION IP30

## Dimensions



## Reading Diagram



## Accessories



### Stand

Robust and compact, the stand makes it possible to use the reader in hand-free mode.

### Desk/Wall Holder

This item provides ease of use and flexibility in many environments where work space is limited.

